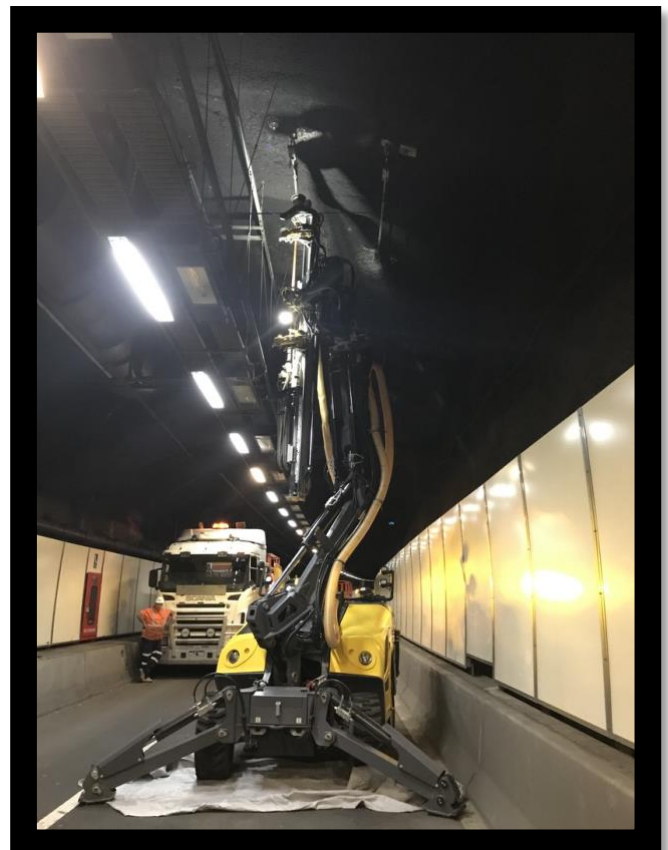
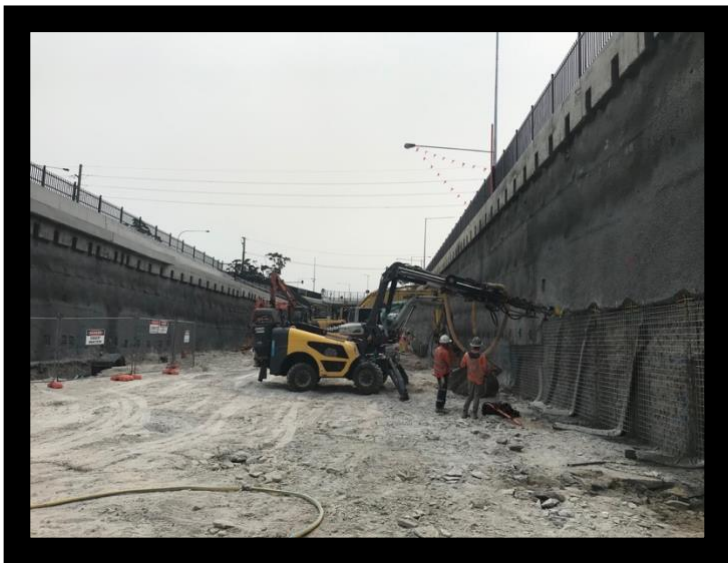


ATLAS COPCO FLEXIROC T20R

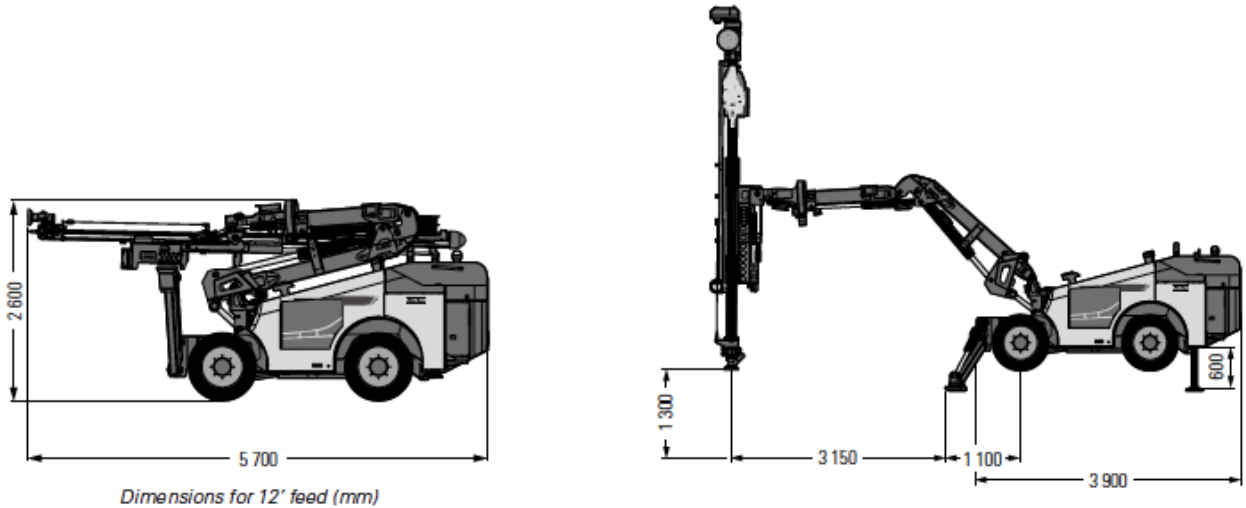
The Atlas Copco Flexiroc T20R is a compact, mobile tunnelling drill rig adaptable to both surface and underground applications. At only 5.6t with 360° drilling capability and onboard dust extraction, this is an extremely versatile rig providing endless options for drilling positions in tight constraints.

Many different mast movements and drilling techniques available. Contact us to discuss your requirements.

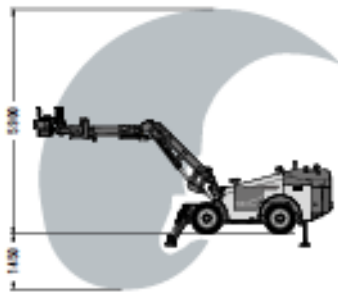
Operating Weight	5.6 tonne
Width	1880mm
Height	2600mm in transport configuration
Length	3900mm



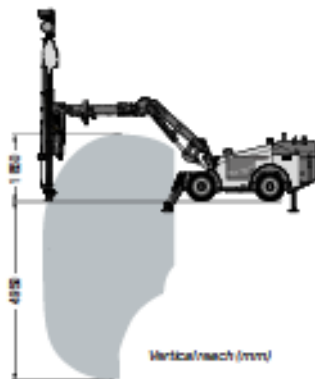
ATLAS COPCO FLEXIROC T20R



Dimensions for 12' feed (mm)



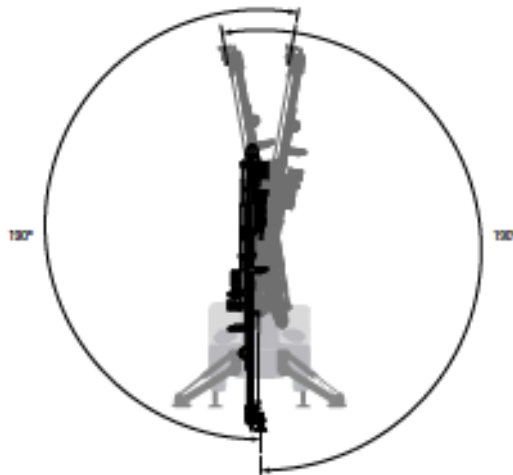
Horizontal drilling sideways (mm)



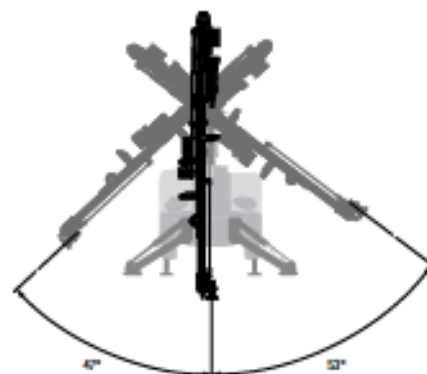
Vertical reach (mm)



UPWARDS DRILLING (H)		
Feed	Metric	Imperial
12'	3 100 mm	29' 10"
10'	3 000 mm	27' 10"
8'	2 000 mm	26' 3"



Roll over



Feed swing angle