

ATLAS COPCO ROC-L6

The Atlas Copco ROC-L6 is a high production blast hole / anchoring rig. This is a rotary rig with onboard air capable of delivering 300L/s at 25bar. The 9.4m long mast allows high precision drilling to meet strict project specifications.

Many different mast movements and drilling techniques available. Contact us to discuss your requirements.

Operating Weight	~22 tonne
Width	2500mm
Height	3030mm cab – 9400mm mast (in vertical arrangement)
Length	5450mm



ATLAS COPCO ROC-L6

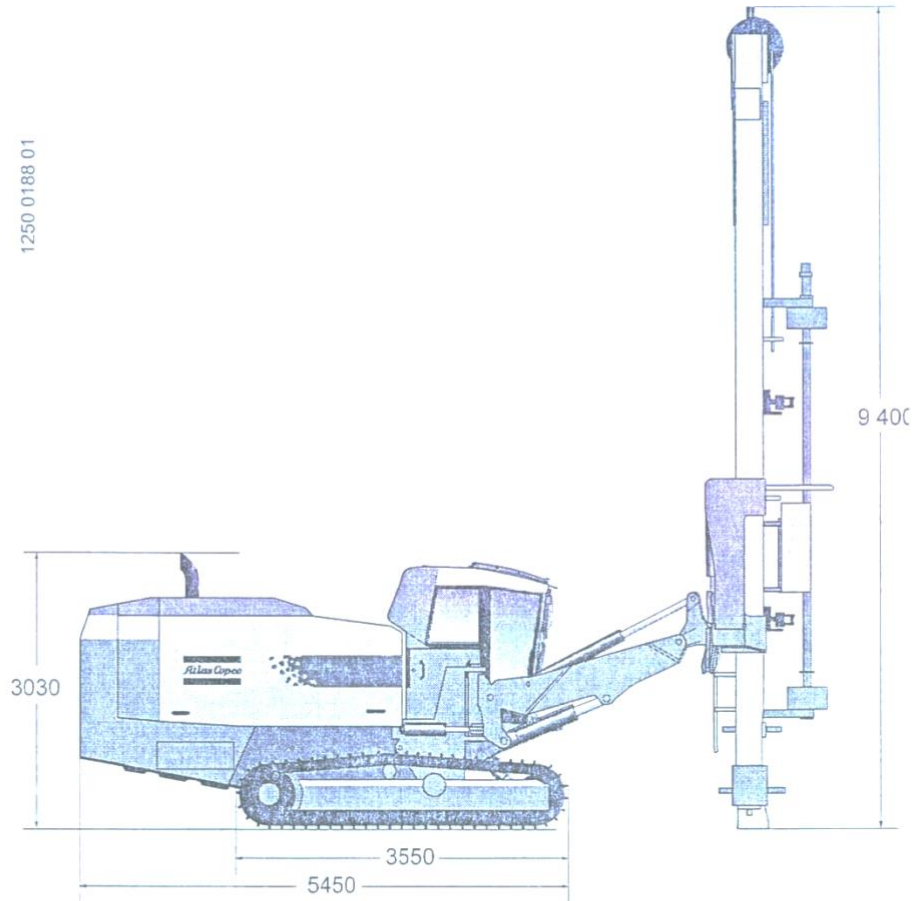


Figure: Measured from the side

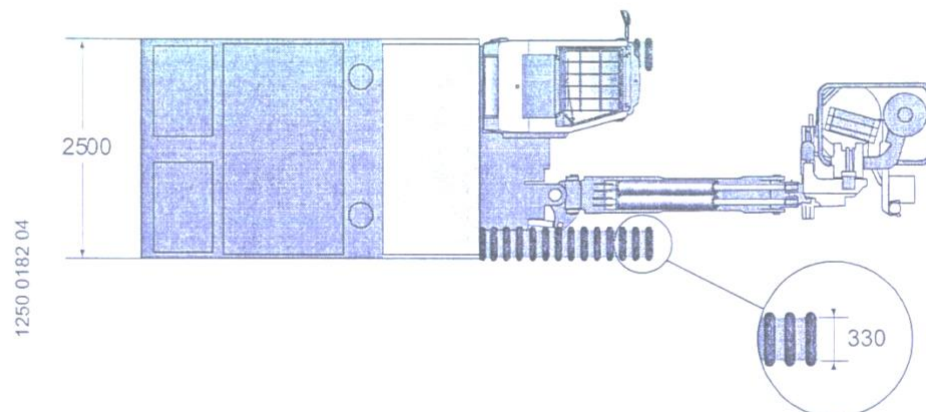


Figure: Measured from above