

ATLAS COPCO ROC-D9C

The Atlas Copco ROC-D9C is a top hammer blast hole / anchoring rig. With a multitude of mast movements, this rig allows flexibility in its capabilities and the on-board carousel facilitates autonomous drilling for the operator.

Many different mast movements and drilling techniques available. Contact us to discuss your requirements.

Operating Weight	~15 tonne
Width	2450mm
Height	3115mm cab – 4337mm mast (in vertical arrangement)
Length	5000mm + mast position



ATLAS COPCO ROC-D9C

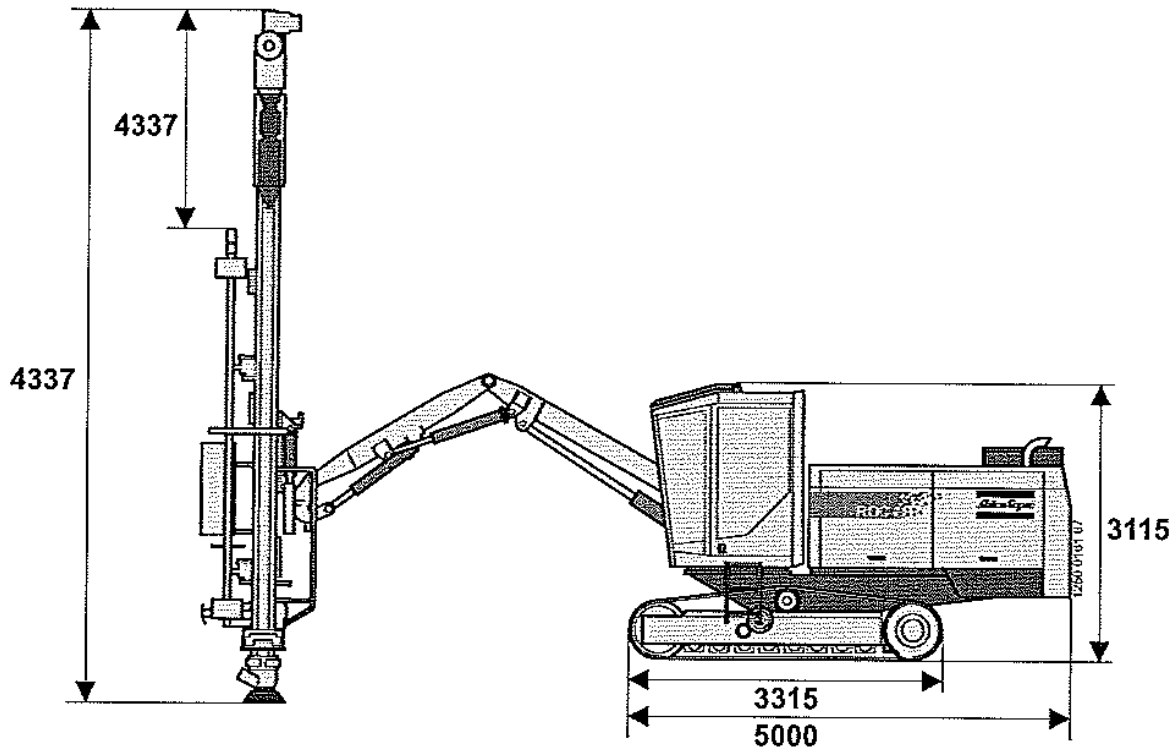


Figure:

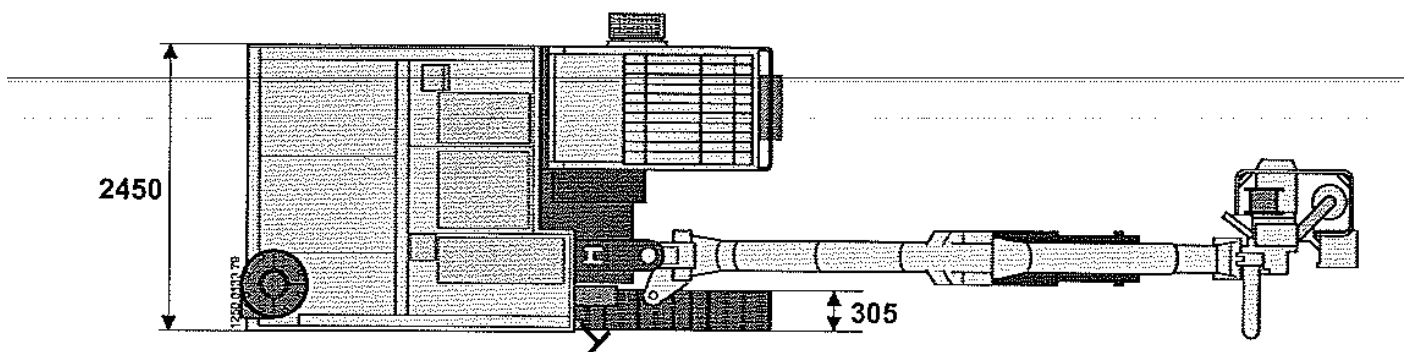


Figure: